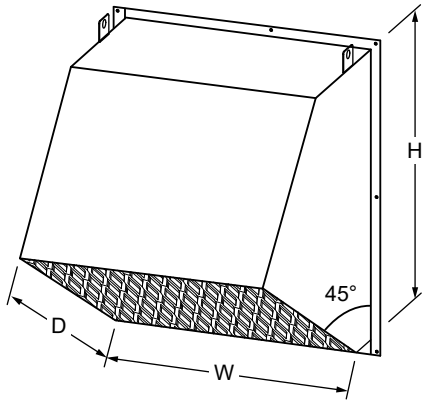


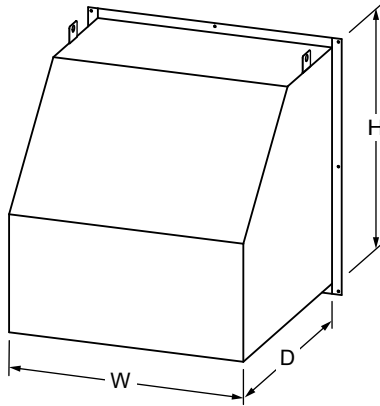


WEATHER HOOD

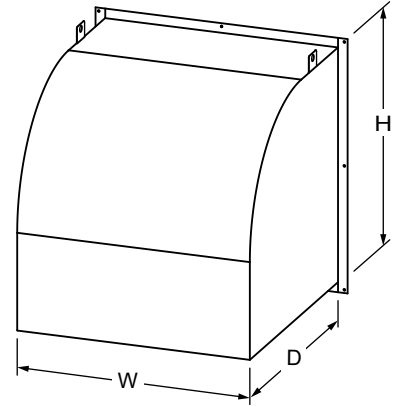
Models WH-A, WH-B and WH-C



WH-A



WH-B



WH-C

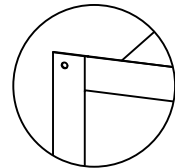
All models shown with optional lifting lugs and mounting holes

QTY	MODEL	W	H	D	TAG

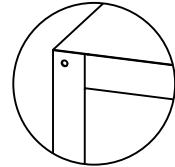
Custom designs available upon request

STANDARD CONSTRUCTION

- 18-gauge galvanized steel
- Mill finish
- Bird screen in galvanized steel
- 1.5" flanged out
- D=H unless noted otherwise



Flanged out



Flanged in

OPTIONS

MATERIAL

- Galvanized steel (Std.)
- Aluminum
- 304 SS
- 316 SS
- Other _____

FINISH

- Mill (Std.)
- Satin polish (SS only)
- White two-part polyurethane
- Other _____

SCREEN

- Bird screen (Std.)
- Insect screen
- No screen

SCREEN MATERIAL

- Galvanized steel (Std.)
- Aluminum
- 304 SS

MOUNTING

- Flanged out (Std.)
- Flanged in
- No flange
- Mounting holes (only available with flange)

ACCESSORIES

- Lifting lugs
- Filters
- Through-wall sleeve

To maintain KEES' policy of continuous product improvement, we reserve the right to change prices, specifications, ratings or dimensions without notice or obligation.

Project/Location		KEES INCORPORATED 400 South Industrial Drive Elkhart Lake, WI 53020 Ph: 920.876.3391 www.kees.com
Engineer/Architect		
Contractor		
Representative		Date