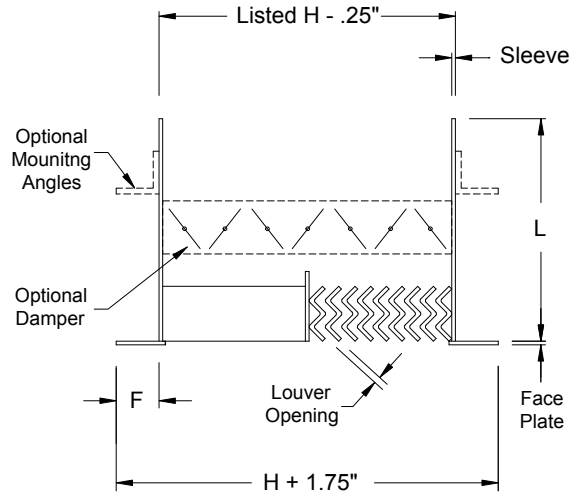
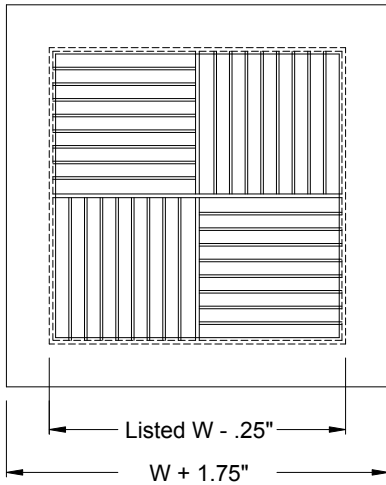




MAXIMUM SECURITY RISK RESISTANT "W" PASSAGEWAY DIFFUSER

Model SEG-15D



QTY	LISTED SIZE		SLEEVE O.D.		SLEEVE LENGTH L	THROW PATTERN	ACCESSORIES	MOUNTING OPTION	TAG
	W	H	W	H					

STANDARD CONSTRUCTION

- 12-gauge steel
- "W" louvers with 5/16" openings
- 1" flange stitch welded
- Sleeve continuously welded
- White two-part polyurethane finish
- 1, 2, 3, and 4-way throw patterns

OPTIONS

FACE MATERIAL

- 12-gauge steel (Std.)
- Other _____

LOUVER MATERIAL

- 12-gauge steel (Std.)
- Other _____

PASSAGEWAY OPENINGS

- 5/16" (Std.)
- Other _____

FLANGE "F"

- 1" (Std.)
- Other _____

SLEEVE MATERIAL

- 12-gauge steel (Std.)
- Other _____

FINISH

- White (Std.)
- Other _____

OTHER MATERIAL

- Aluminum (SEG-15DA)
- 304 SS (SEG-15DSS)

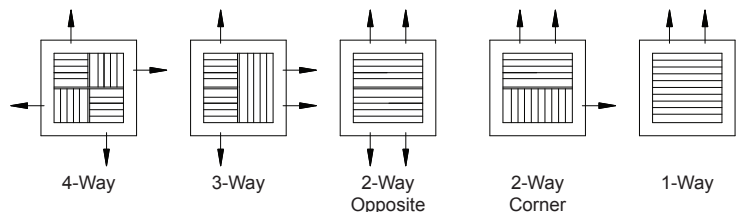
ACCESSORIES

- 16R.** Rear operated opposed blade damper tack welded into sleeve. Dampers are adjustable using flat bladed screwdriver.
- SXR.** Light gauge square to round transition, loose for field installation. Advise round size _____
- Other _____

MOUNTING

- 11A.** Two loose pieces of 1" x 1" x 3/16" mill finish steel angle loose for field welding to sleeve. Length equal to longest side of grille. Other angle size _____
- 11B.** Rear angle frame of 1" x 1" x 3/16" mill finish steel completely assembled for field welding to sleeve. Other angle size _____
- 12A.** Rear angle frame for bolting to sleeve. 1" x 1" x 3/16" steel with bolt holes 8" o.c. for 1/4" dia. bolts. No holes in sleeve. No bolts, nuts or washers. Other angle size _____
- 24.** Countersunk screw holes in face 10" o.c. with #10-24 x 2" long Torx security machine screws for 1-1/2" maximum ceiling thickness. 1" x 1" x 1/8" steel angle frame with matching holes and foldover nuts. Requires 1-1/2" flange.
- 25.** Countersunk screw holes in face 10" o.c. with #10 x 1-1/2" long Torx security sheet metal screws. Other screw length _____

THROW PATTERNS



To maintain KEES' policy of continuous product improvement, we reserve the right to change prices, specifications, ratings or dimensions without notice or obligation.

Project/Location		KEES INCORPORATED 400 South Industrial Drive Elkhart Lake, WI 53020 Ph: 920.876.3391 www.kees.com
Engineer/Architect		
Contractor		
Representative		