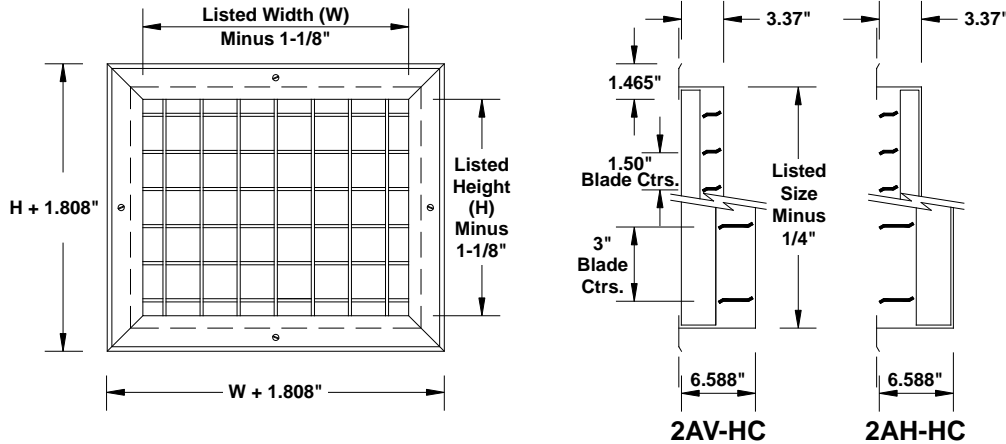


STAINLESS STEEL HIGH CAPACITY GRILLES

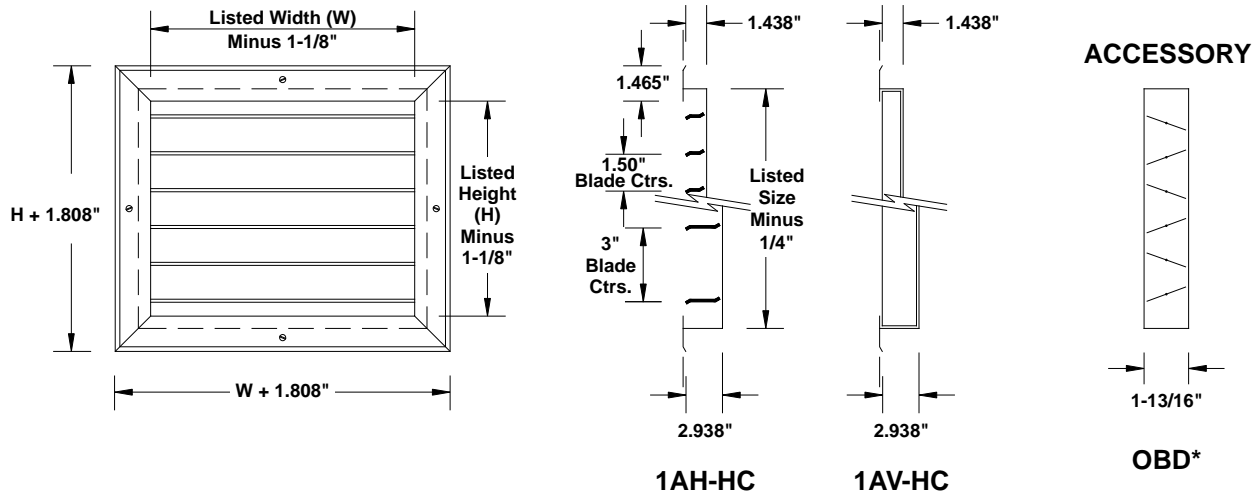
304 (Standard) or 316 (Optional) Stainless - Satin Finish

16 GA. Frame, 16 GA. Blades
 Maximum single section is 72" x 72". Sizes over 48" in blade direction have interior mullions.
 Other available accessories include plaster frame and square to round transition.
 See reverse side for butting details on multiple piece grilles.

DOUBLE DEFLECTION - (Adjustable Blades)



SINGLE DEFLECTION - (Adjustable Blades)



* Velocity limitations apply.
 Contact the factory regarding applications requiring dampers.

Qty.	Model	W	H	Blade Centers		Type S.S.		Accessories	Tag
				1-1/2"	3"	304	316		

To maintain KEES' policy of continuous product development, we reserve the right to change prices, specifications, ratings and dimensions without notice or obligation.

Project				Location					
Engineer									
Architect				Dwg. No.	SD-SSHC				
Contractor				Date	02/16				



KEES INCORPORATED
 400 S. Industrial Dr.
 Elkhart Lake, WI 53020
 Phone: (920) 876-3391
 Fax: (920) 876-3065
 Website: www.kees.com

STAINLESS STEEL HIGH CAPACITY GRILLES

304 (Standard) or 316 (Optional) Stainless - Satin Finish

16 GA. Frame, 16 GA. Blades

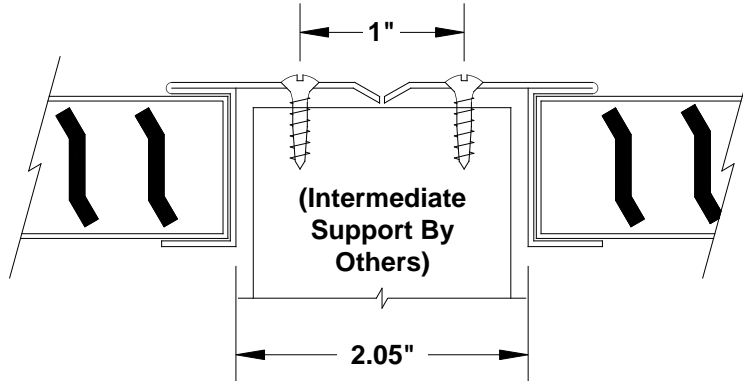
Maximum single section is 72" x 72".

Sizes over 48" in blade direction have interior mullions.

Sizes exceeding maximum single section will be made in multiple individual sections to fit opening size.

Mullion supports within opening to be provided by others.

MULTIPLE SECTION BUTTING DETAIL



To maintain KEES' policy of continuous product development, we reserve the right to change prices, specifications, ratings and dimensions without notice or obligation.

Project		Location	
Engineer			
Architect		Dwg. No.	SD-SSHC
Contractor		Date	02/16



KEES INCORPORATED
 400 S. Industrial Dr.
 Elkhart Lake, WI 53020
 Phone: (920) 876-3391
 Fax: (920) 876-3065
 Website: www.kees.com