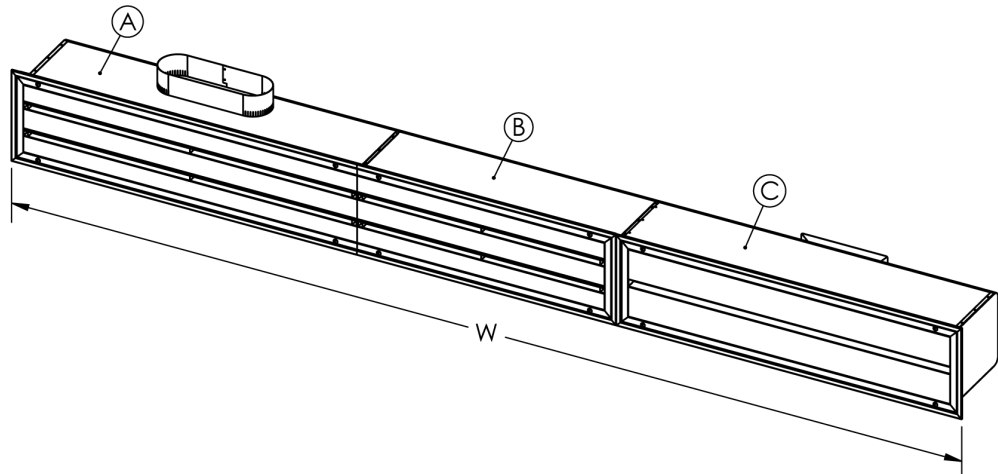
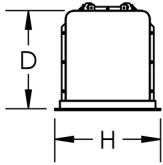




SLOT DIFFUSER, PERIMETER

Model PR-SD



AVAILABLE FEATURES

OPTIONS

- 304 Stainless Steel (Std.)
 - #4 Satin Finish (Std.)
- 316 Stainless Steel
 - #4 Satin Finish
- Aluminum
- White Antimicrobial Epoxy Powdercoat Finish
- Other Color: _____
- Face Frames (At Each Section) (Std.)
- Face Frames Continuous Style
- Single Slot
 - 0.5" – No Blades
 - 1" – No Blades
 - 1" – With Blades (Std.)
 - 1.25" – No Blades
- Double Slot
 - 0.5" – No Blades
 - 1" – No Blades
 - 1" – With Blades (Std.)
- Foil Back Insulation
 - 1.5"
 - 2.25"

INLET OPTIONS

- Applies to all Sections
- No Inlet
- Top Inlet - (Select Shape/Size/Location)
- Outside Inlet – (Select Shape/Size/Location) (Std.)
- Inside Inlet – (Select Shape/Size/Location)
- Round Inlet – Size: _____
- Rectangle Inlet – Size: _____ (Std.)
 - Flanged
- Oval Inlet – Size: _____
- Centered Inlet (Std.)
- Shifted Inlet – Distance: _____ (From Near End of Face to Center of Inlet)
- Opposed Blade Damper (Only Available with Rectangle Inlet)
 - Riveted (Std.)
 - Removable
 - Remote Damper



SLOT DIFFUSER, PERIMETER

Model PR-SD

INLET OPTIONS

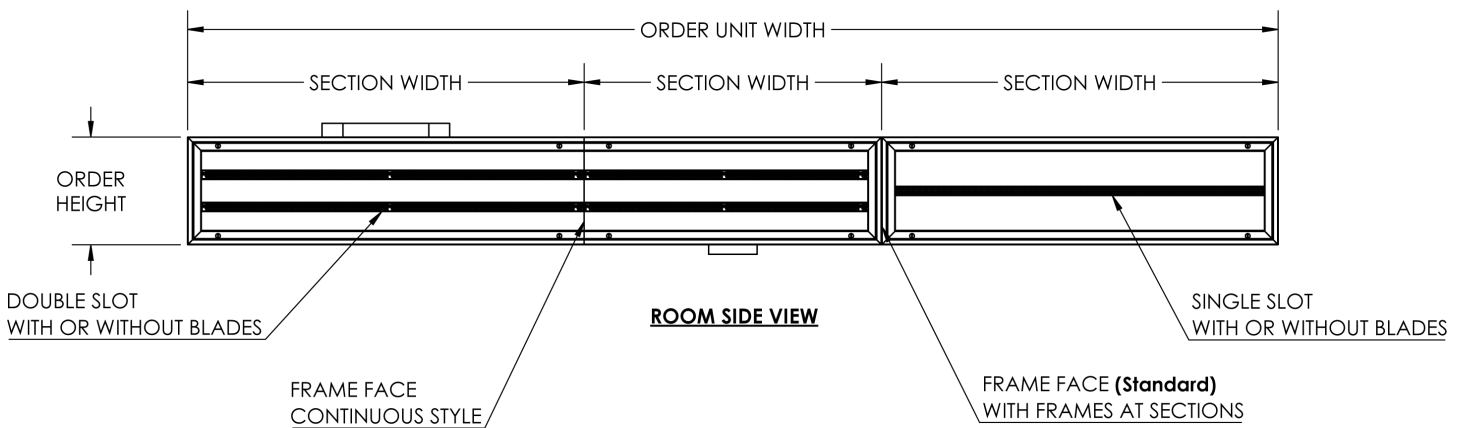
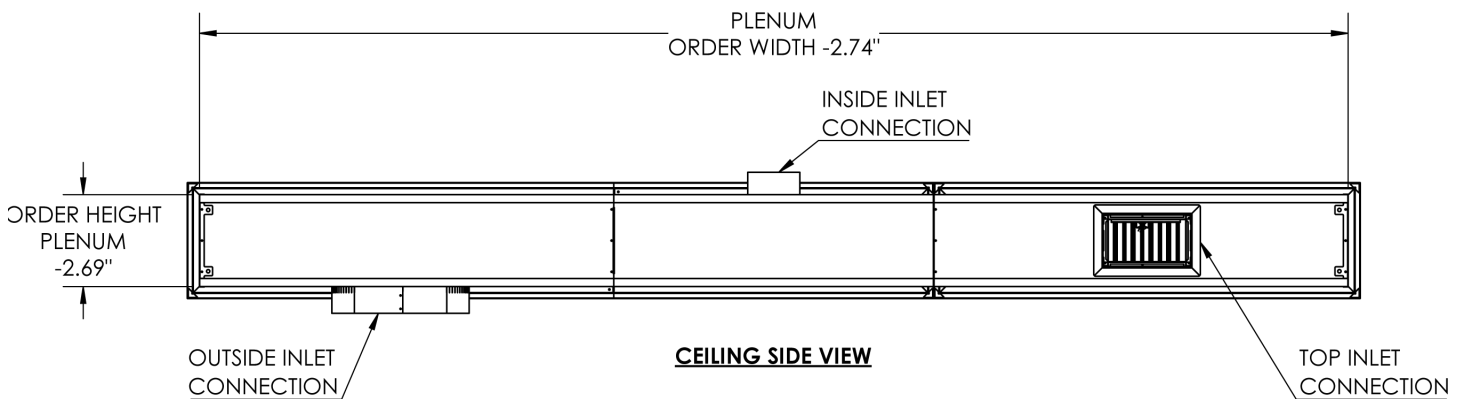
□ Specify Each Section

Ⓐ A Inlet: (Type/Shape/Size/Location)

Ⓑ B Inlet: (Type/Shape/Size/Location)

Ⓒ C Inlet: (Type/Shape/Size/Location)

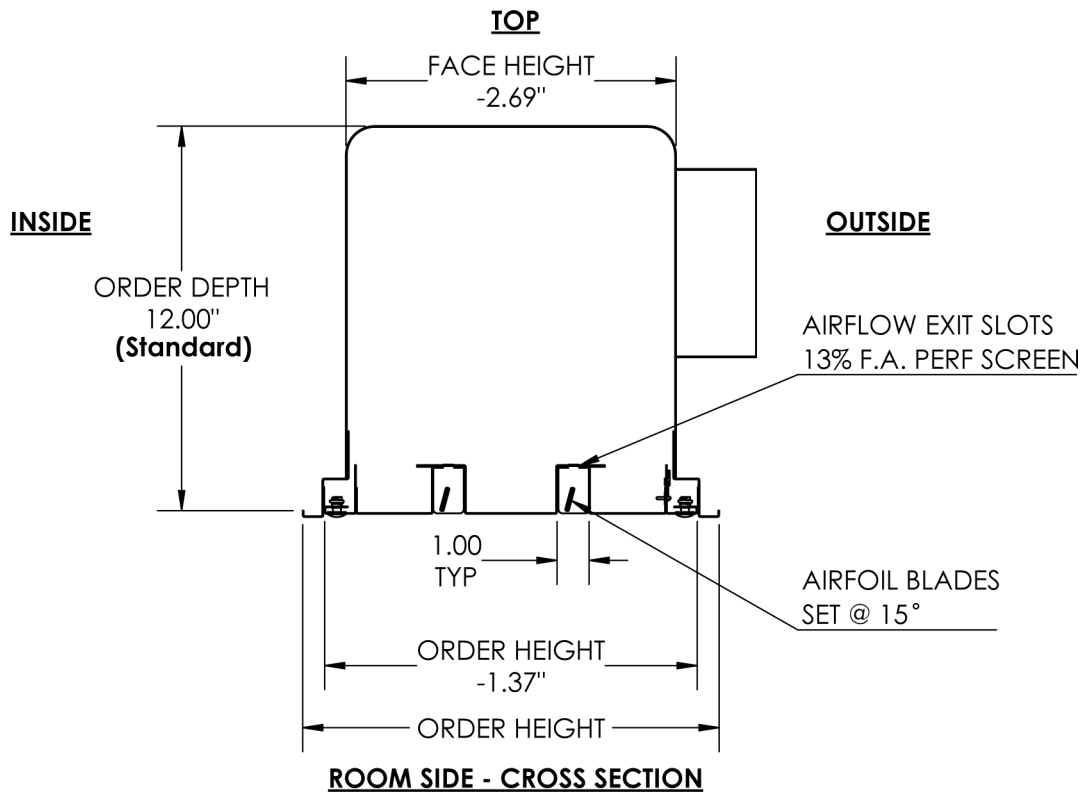
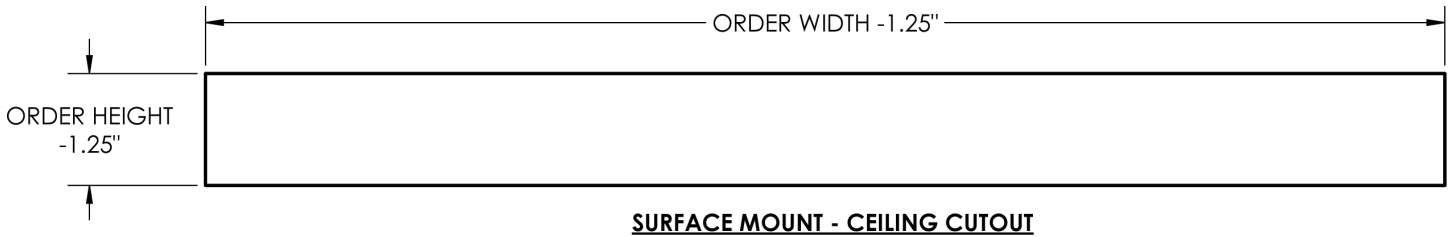
Ⓓ D Inlet: (Type/Shape/Size/Location)





SLOT DIFFUSER, PERIMETER

Model PR-SD





SLOT DIFFUSER, PERIMETER

Model PR-SD

INLET SIZING

